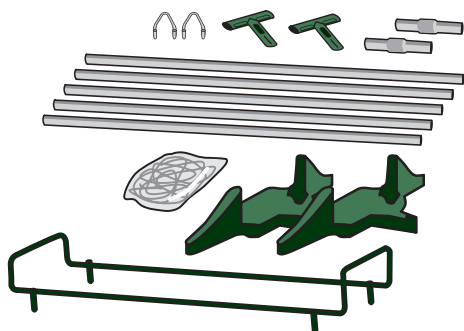
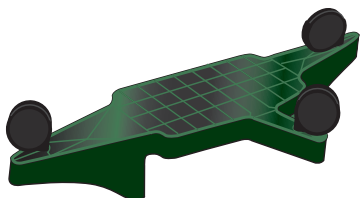


## STEP 1 | Getting Started



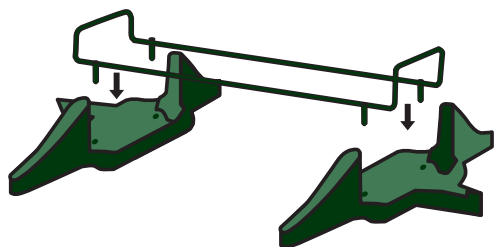
The Staking System for the Original EarthBox® includes 2 Clips, 2 T-Connectors, 2 Straight Connectors, 5 Identical Aluminum Tubes, Netting, 2 Outriggers, 1 Bridge. Make sure all components are handy before beginning your assembly. No tools are required.

## STEP 2 | Add Casters (Optional)

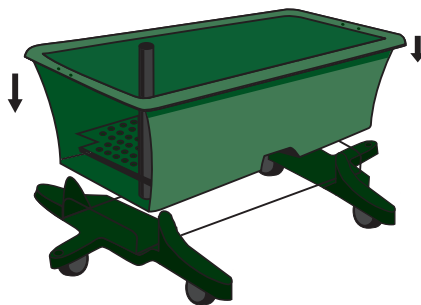


If casters are desired, turn outriggers upside-down and insert casters into sockets. You will need a total of 6 casters. Two casters came with your staking system. The additional 4 casters can be purchased separately.

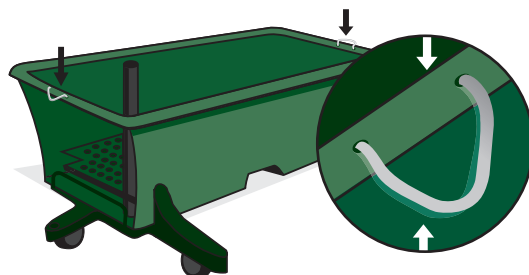
## STEP 3 | Attach Bridge to Outriggers



## STEP 4 | Place Container on Bridge

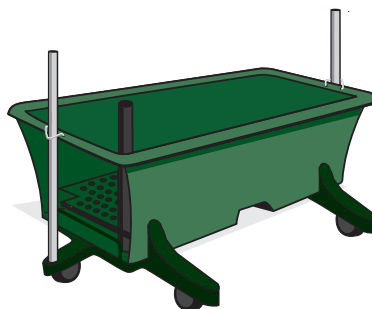


## STEP 5 | Attach Clips



Insert the clips through the holes drilled through the rim at each end of the EarthBox.

## STEP 6 | Insert Tubes



Tubes are identical in length. Insert a tube through the clip and into the outrigger. Repeat for the clip on the opposite end of the box.

## STEP 7 | Insert Straight Connectors



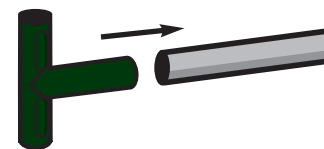
Insert straight connectors into the vertical tubes.

## STEP 8 | Insert Vertical Tubes



Insert two tubes vertically onto top end of straight connectors.

## STEP 9 | Add T-Connectors to Horizontal Tube



Slide the long leg of a T-connector into each end of tube to be used as a horizontal support.

*Continued on flap*

## STEP 10 | Final Horizontal Assembly



Slide T-Connector & Horizontal Bar assembly into Vertical Tubes.

## STEP 11 | Add Netting



Hang netting over top T-connectors. Tie netting to top tube at equal intervals. Tie netting to vertical tubes at even intervals, starting at the top and working down.



Everybody's talking about the EarthBox growing system. Join The latest discussions at <http://forum.earthbox.com>



Find us on facebook at [www.facebook.com/earthbox](http://www.facebook.com/earthbox), and read up on the latest gardening articles and EarthBox news.



Want up to the minute scoop on EarthBox news? Follow us on twitter at <http://twitter.com/earthbox>



## STAKING SYSTEM FOR ORIGINAL EARTHBOX

*Instructions Inside*

**The EarthBox**  
**1350 Von Storch Ave**  
**Scranton, PA 18509**  
**[www.earthbox.com](http://www.earthbox.com)**

**To place an order:**  
**(888) 229-0186 24 Hours / 7 days**

**Customer Service:**  
**(800) 821-8838 Mon-Fri 9am-5pm**

© 2009 The EarthBox